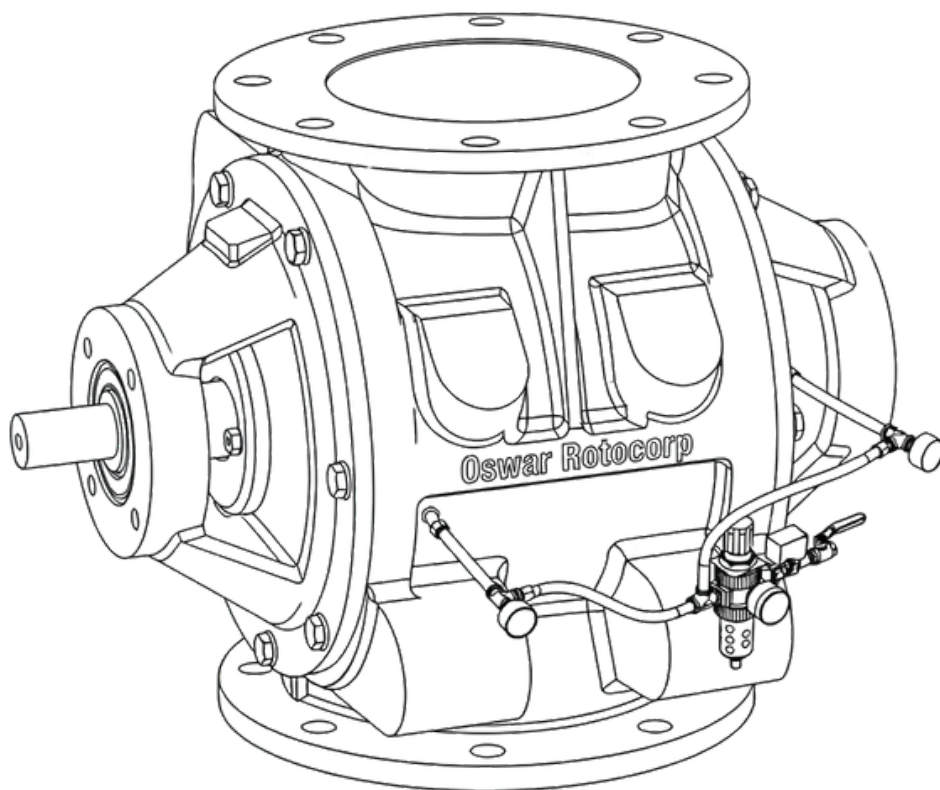



ROTARY VALVE

PNEUMATIC PRESSURE SERIES



OSWAR
rotocorp



The Rotary Valve X-BT Pneumatic Pressure Series is engineered specifically for high-pressure pneumatic conveying systems where airlock integrity and pressure stability are critical to process performance.

Designed with reinforced structural construction and optimized rotor configuration, the X-BT series ensures consistent material injection into pressurized conveying lines while minimizing air leakage and energy loss.

Its advanced sealing systems and controlled rotor clearances maintain operational stability across significant pressure differentials, making it suitable for dense phase and high-pressure material transfer applications.

ADVANTAGES

HIGH-PRESSURE
AIRLOCK
INTEGRITY

OPTIMIZED FOR
DENSE &
PRESSURE PHASE
SYSTEMS

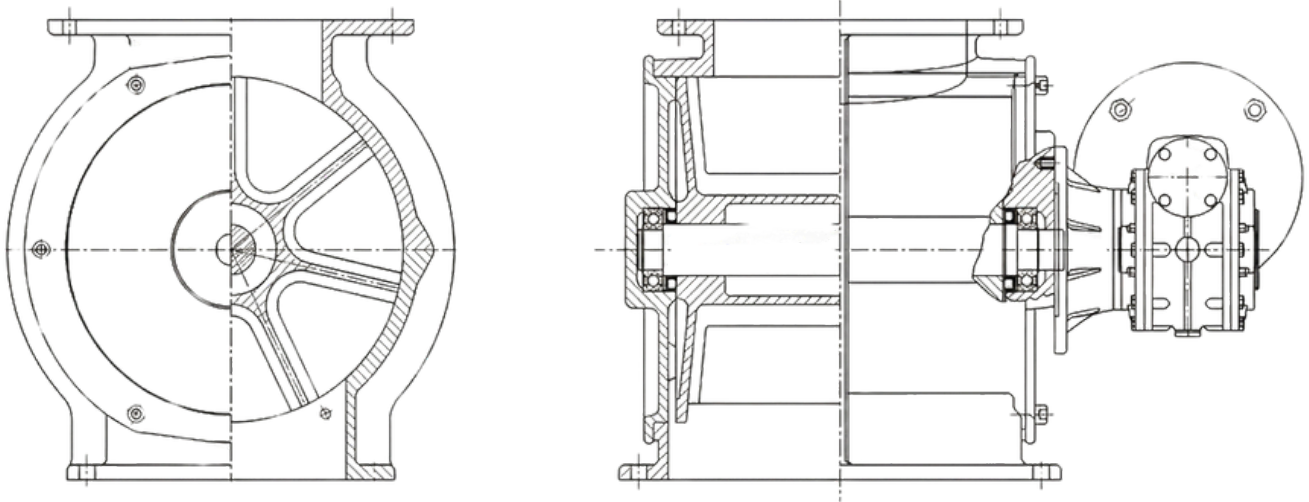
MINIMAL AIR
LEAKAGE
PERFORMANCE

STABLE MATERIAL
INJECTION UNDER
LOAD

DESIGNED FOR PRESSURE STABILITY & FLOW CONTROL

The Rotary Valve X-BT Series is manufactured with heavy-section precision CNC-machined housings and high-strength rotor assemblies capable of maintaining dimensional stability under elevated pressure conditions.

The rotor geometry is optimized for smooth material entrainment into pneumatic pipelines, ensuring uniform dispersion and consistent feeding performance. Advanced sealing configurations enhance airlock integrity while reducing pressure losses across the valve interface.



ENGINEERING FEATURES

- Heavy-duty precision CNC-machined housing
- Pressure-optimized rotor geometry
- Enhanced sealing system for high-pressure applications
- Controlled rotor clearances for airlock efficiency
- Reinforced shaft and bearing protection system

HIGH-PRESSURE PNEUMATIC APPLICATIONS

Typical Applications:

- Dense Phase Pneumatic Conveying
- Pressure Pneumatic Conveying Systems
- Cement & Clinker Transfer
- Fly Ash Injection Systems
- Mineral Powder Pipeline Feeding

Industries Served:

- Cement Manufacturing
- Power Generation Plants
- Mining & Mineral Processing
- Steel & Metallurgical Industries



OSWAR

rotocorp

Corporate Office

Jaipur, Rajasthan India
Nagpur, Maharashtra India

Sales Inquiries

info@oswarrotocorp.com

Helpline

[+44 7917 128505](tel:+447917128505) | [+91 77422 36474](tel:+917742236474)

Copyright © 2026 OSWAR ROTOCORP. All Rights Reserved. OSWAR® is a registered trademark of **OSWAR ROTOCORP**. This brochure makes no offers, representations or warranties (express or implied), and information and data contained in this brochure are for general reference only and may change at any time.